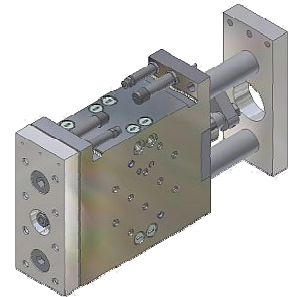
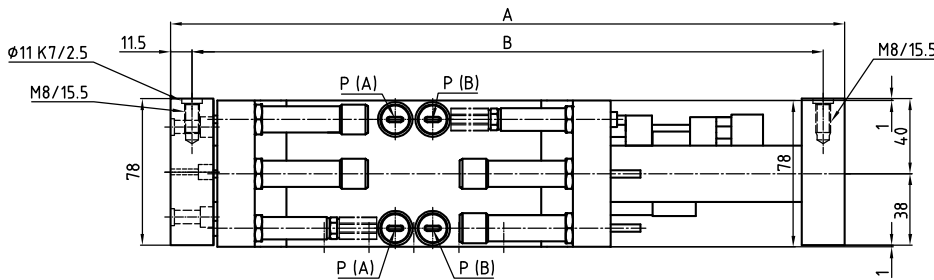
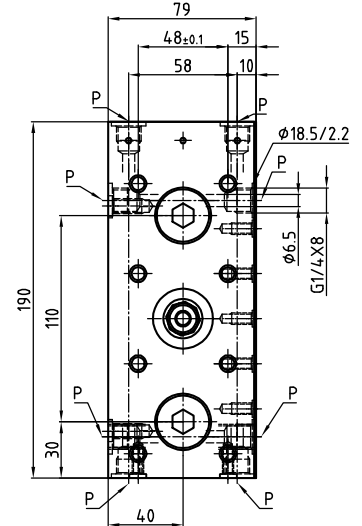
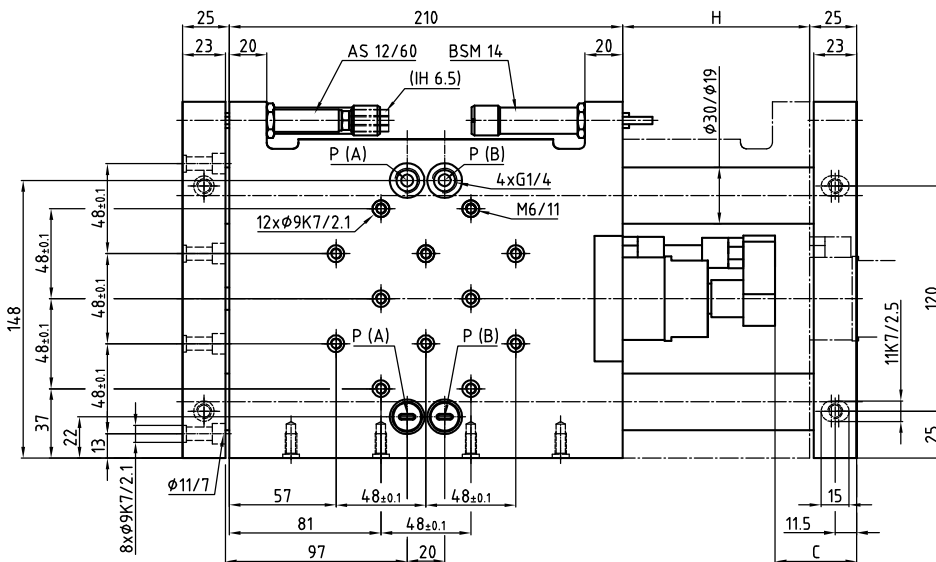


Linear-Element GLE 32/40

Élément linéaire GLE 32/40

Unità lineare GLE 32/40

Linear element GLE 32/40



P=Luftanschluss

P=Raccord d'air

P=Raccordi pneumatici

P=Air connections

Type	Artikelnummer No d'article Codice No. Reference No.	Nennhub H Course H Corsa H Stroke H	Mass A Dimension A Dimensione A Dimension A	Mass B Dimension B Dimensione B Dimension B	Mass C Dimension C Dimensione C Dimension C	Luftanschluss P Raccords d'air P Raccordi pneumatici P Air connectors P
GLE 32-100	1000045	100 mm	360 mm	337 mm	25 mm	G 1/4
GLE 32-200	1000046	200 mm	460 mm	437 mm	40 mm	G 1/4
GLE 32-300	1000047	300 mm	560 mm	537 mm	40 mm	G 1/4
GLE 32-400	1000048	400 mm	660 mm	637 mm	40 mm	G 1/4
GLE 32-500	1000049	500 mm	760 mm	737 mm	40 mm	G 1/4
GLE 32-600	1000050	600 mm	860 mm	837 mm	40 mm	G 1/4
GLE 40-100	1000051	100 mm	360 mm	337 mm	25 mm	G 1/4
GLE 40-200	1000052	200 mm	460 mm	437 mm	40 mm	G 1/4
GLE 40-300	1000053	300 mm	560 mm	537 mm	40 mm	G 1/4
GLE 40-400	1000054	400 mm	660 mm	637 mm	40 mm	G 1/4
GLE 40-500	1000055	500 mm	760 mm	737 mm	40 mm	G 1/4
GLE 40-600	1000056	600 mm	860 mm	837 mm	40 mm	G 1/4

Sonderausführungen auf Anfrage

Constructions particulières sur demande

Esecuzioni speciali su richiesta

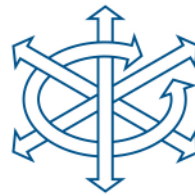
Special types on request

Zubehör finden Sie auf den Seiten 2.84, 6.1

Vous trouvez des accessoires aux pages 2.84, 6.1

Per gli accessori, vedi alle pagine 2.84, 6.1

You will find accessories on pages 2.84, 6.1



### Technische Daten

### Données techniques

### Dati tecnici

### Technical data

Typ Typ	Type Type	GLE 32-100	GLE 32-200	GLE 32-300	GLE 32-400	GLE 32-500	GLE 32-600
Artikelnummer	No d'article	1000045	1000046	1000047	1000048	1000049	1000050
Codice No.	Reference No.						
Nennhub H	Course H	100 mm	200 mm	300 mm	400 mm	500 mm	600 mm
Corsa H	Stroke H						
Max. Nutzgewicht=m	Charge utile max. =m	80 kg	70 kg	60 kg	45 kg	30 kg	15 kg
Carico utile max. =m	Max. useful load=m						
Kolbenkraft einfahrend	Force du piston rentrant	310 N	310 N	310 N	310 N	310 N	310 N
Forza di rientro	Piston force retracted	(5 bar)	(5 bar)	(5 bar)	(5 bar)	(5 bar)	(5 bar)
Kolbenkraft ausfahrend	Force du piston sortant	350 N	350 N	350 N	350 N	350 N	350 N
Forza di uscita	Piston force extended	(5 bar)	(5 bar)	(5 bar)	(5 bar)	(5 bar)	(5 bar)
Betriebsdruck	Pression d'air	3 – 8 bar	3 – 8 bar	3 – 8 bar	3 – 8 bar	3 – 8 bar	3 – 8 bar
Pressione aria	Working pressure						
Luftanschlüsse (P)	Raccords d'air (P)	G 1/4"	G 1/4"	G 1/4"	G 1/4"	G 1/4"	G 1/4"
Raccordi pneumatici (P)	Air connectors (P)						
Luftverbrauch/H	Consommation d'air/H	0.4 NL	0.8 NL	1.2 NL	1.6 NL	2.0 NL	2.4 NL
Consumo aria/H	Air consumption/H						
Temperaturbereich	Ecart de température	-10% +60°C	-10% +60°C	-10% +60°C	-10% +60°C	-10% +60°C	-10% +60°C
Gamma di temperatura	Temperature range						
Gewicht	Poids	11.4 kg	12.3 kg	13.2 kg	14.0 kg	14.9 kg	15.9 kg
Peso	Weight						
Wiederholgenauigkeit	Reproductibilité	±0.01 mm	±0.01 mm	±0.01 mm	±0.01 mm	±0.01 mm	±0.01 mm
Ripetibilità	Repeating accuracy						
Einbaulage (beliebig)	Position de montage (à volonté)						
Posizione di montaggio (a volontà)	Any given position (any)						

Lieferumfang:	Matériel livré:	Ambito di fornitura:	Items supplied:
2 Anschlagschr. AS 12/60	2 Vis d'arrêt AS 12/60	2 Viti d'arresto AS 12/60	2 Stop screws AS 12/60
2 Stossdämpfer BSM 14	2 Amortisseurs BSM 14	2 Ammortizzatori BSM 14	2 Shock absorbers BSM 14
2 Positionierringe	2 Bagues de positionnement	2 Anelli di posizionamento	2 Positioning rings

### Taktzeit

Messungen bei 5 bar

m=Masse [kg]

t = Hubzeit [s]

### Temps de cycle

Mesuré à 5 bar

m=Masse [kg]

t = Temps par course [s]

### Tempo di ciclo

Misurato con 5 bar

m=Massa [kg]

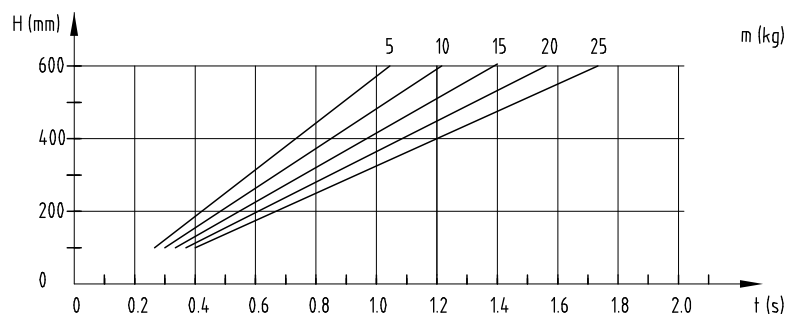
t = Tempo di corsa [s]

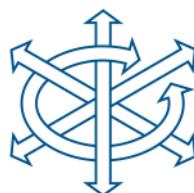
### Cycle time

Measurements at 5 bar

m=Mass [kg]

t = Stroke time [s]





### Technische Daten

### Données techniques

### Dati tecnici

### Technical data

Typ	Type	GLE 40-100	GLE 40-200	GLE 40-300	GLE 40-400	GLE 40-500	GLE 40-600
Artikelnummer	No d'article	1000051	1000052	1000053	1000054	1000055	1000056
Codice No.	Reference No.						
Nennhub H	Course H	100 mm	200 mm	300 mm	400 mm	500 mm	600 mm
Corsa H	Stroke H						
max. Nutzgewicht=m	Charge utile max. =m	80 kg	70 kg	60 kg	45 kg	30 kg	15 kg
Carico utile max. =m	Max. useful load=m						
Kolbenkraft einfahrend	Force du piston rentrant	470 N	470 N	470 N	470 N	470 N	470 N
Forza di rientro	Piston force retracted	(5 bar)	(5 bar)	(5 bar)	(5 bar)	(5 bar)	(5 bar)
Kolbenkraft ausfahrend	Force du piston sortant	550 N	550 N	550 N	550 N	550 N	550 N
Forza di uscita	Piston force extended	(5 bar)	(5 bar)	(5 bar)	(5 bar)	(5 bar)	(5 bar)
Betriebsdruck	Pression d'air	3 – 8 bar	3 – 8 bar	3 – 8 bar	3 – 8 bar	3 – 8 bar	3 – 8 bar
Pressione aria	Working pressure						
Luftanschlüsse (P)	Raccords d'air (P)	G 1/4"	G 1/4"	G 1/4"	G 1/4"	G 1/4"	G 1/4"
Raccordi pneumatici (P)	Air connectors (P)						
Luftverbrauch/H	Consommation d'air/H	0.6 NL	1.2 NL	1.8 NL	2.4 NL	3.0 NL	3.6 NL
Consumo aria/H	Air consumption/H						
Temperaturbereich	Ecart de température	-10% +60 °C	-10% +60 °C	-10% +60 °C	-10% +60 °C	-10% +60 °C	-10% +60 °C
Gamma di temperatura	Temperature range						
Gewicht	Poids	11.4 kg	12.3 kg	13.2 kg	14.0 kg	14.9 kg	15.9 kg
Peso	Weight						
Wiederholgenauigkeit	Reproductibilité	±0.01 mm	±0.01 mm	±0.01 mm	±0.01 mm	±0.01 mm	±0.01 mm
Ripetibilità	Repeating accuracy						
Einbaulage (beliebig)	Position de montage (à volonté)						
Posizione di montaggio (a volontà)	Any given position (any)						

Lieferumfang:	Matériel livré:	Ambito di fornitura:	Items supplied:
2 Anschlagschr. AS 12/60	2 Vis d'arrêt AS 12/60	2 Viti d'arresto AS 12/60	2 Stop screws AS 12/60
2 Stossdämpfer BSM 14	2 Amortisseurs BSM 14	2 Ammortizzatori BSM 14	2 Shock absorbers BSM 14
2 Positionierringe	2 Bagues de positionnement	2 Anelli di posizionamento	2 Positioning rings

### Taktzeit

Messungen bei 5 bar

m=Masse [kg]

t = Hubzeit [s]

### Temps de cycle

Mesuré à 5 bar

m=Masse [kg]

t = Temps par course [s]

### Tempo di ciclo

Misurato con 5 bar

m=Massa [kg]

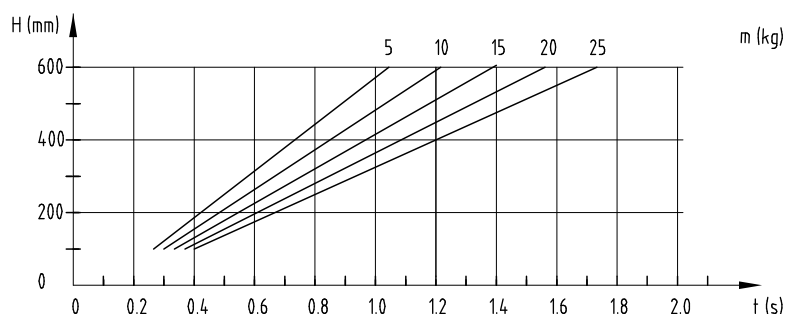
t = Tempo di corsa [s]

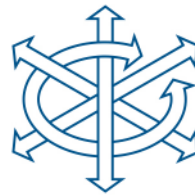
### Cycle time

Measurements at 5 bar

m=Mass [kg]

t = Stroke time [s]





## Zubehör GLE 32/40

## Accessoires GLE 32/40

## Accessori GLE 32/40

## Accessory GLE 32/40

### Verbindungsplatte

### Plaque de raccordement

### Piastra di collegamento

### Connecting plate

4000035

#### Lieferumfang:

2 Positionierringe

8 Schrauben M6x20

#### Matériel livré:

2 Bagues de positionnement

8 Vis M6x20

#### Ambito di fornitura:

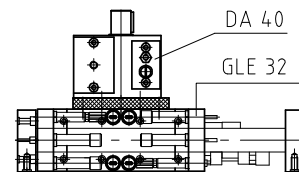
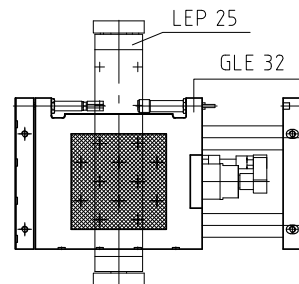
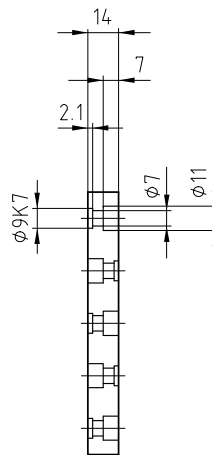
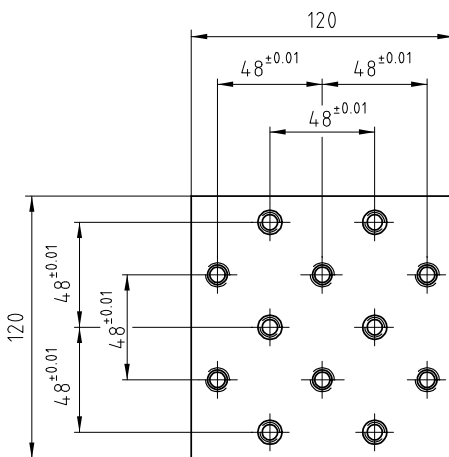
2 Anelli di posizionamento

8 Viti M6x20

#### Items supplied:

2 Positioning rings

8 Screws M6x20



### Anschlagplatte

### Plaque d'arrêt

### Piastra di arresto

### Stop plate

4000050

