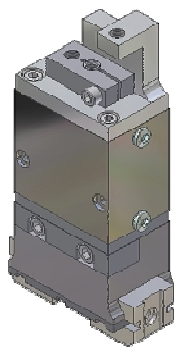


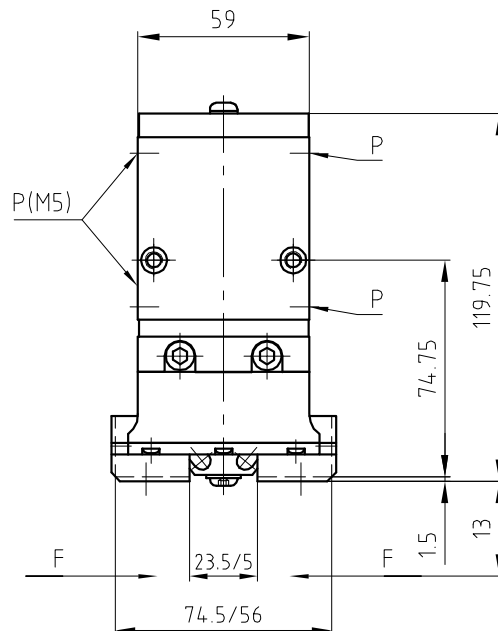
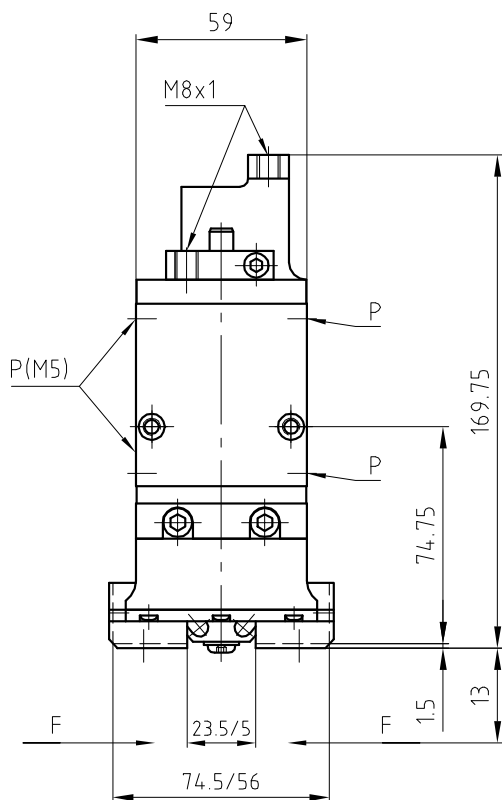
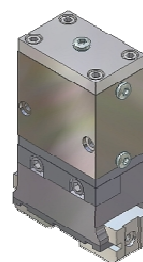
Parallel-Greifzange PGS 32 Pince parallèle PGS 32 Mano di presa parallela PGS 32 Parallel gripper PGS 32

Typ	Type	Tipo	Type	PGS 32 KA	PGS 32 K
Artikelnummer	No d'article	Codice No.	Reference No.	3000017	3000018
Öffnungsweg	Course d'ouverture	Corsa di apertura	Opening stroke	18.5 mm	18.5 mm
Gewicht	Poids	Peso	Weight	1.05 kg	0.95 kg
Luftanschlüsse (P)	Raccords d'air (P)	Raccordi pneumatici (P)	Air connectors (P)	M5	M5

PGS 32 KA



PGS 32 K



Fehlende Daten finden sie auf den Seiten 4.82, 3.83

Vous trouverez les données manquantes aux pages 4.82, 4.83

I dati mancanti sono reperibili alle pagine 4.82, 4.183

Missing data can be found on pages 4.82, 4.83

Typenschlüssel:

K : kompakt
KA: kompakt, abfragbar

Variantes de modèle

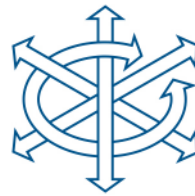
K : compact
KA: compact, interrogeable

Codici di modello:

K : compatto
KA: compatto, definibile

Type designation:

K : compact
KA: compact, selectable

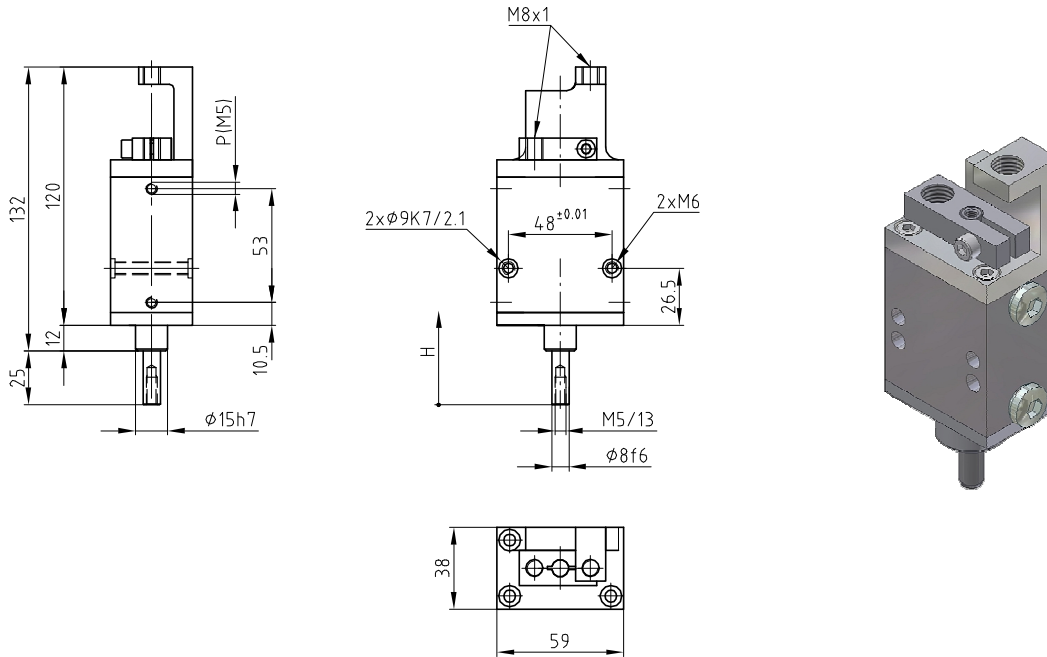


HELD

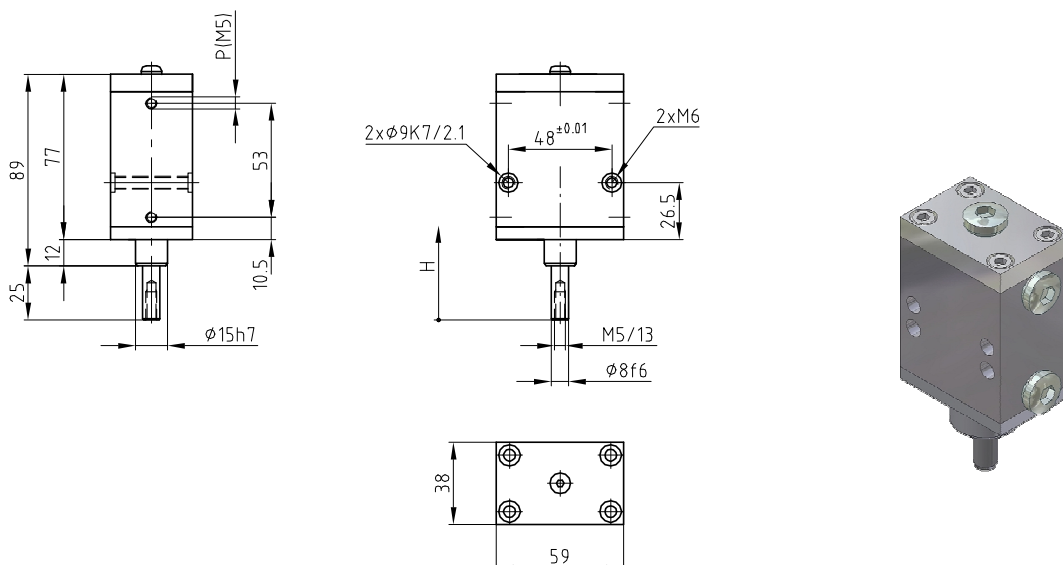
AUTOMATION

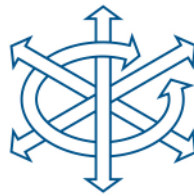
Parallel-Greifzange PGS 32 Pince parallèle PGS 32 Mano di presa parallela PGS 32 Parallel gripper PGS 32

Zangenzylinder	Vérin de pince	Cilindro di serraggio	Gripper cylinder	ZZ 32 KA
Artikelnummer	No d'article	Codice No.	Reference No.	3000023
Nennhub H	Course H	Corsa H	Stroke H	24 mm
Gewicht	Poids	Peso	Weight	0.55 kg
Luftanschlüsse (P)	Raccords d'air (P)	Raccordi pneumatici (P)	Air connectors (P)	M5



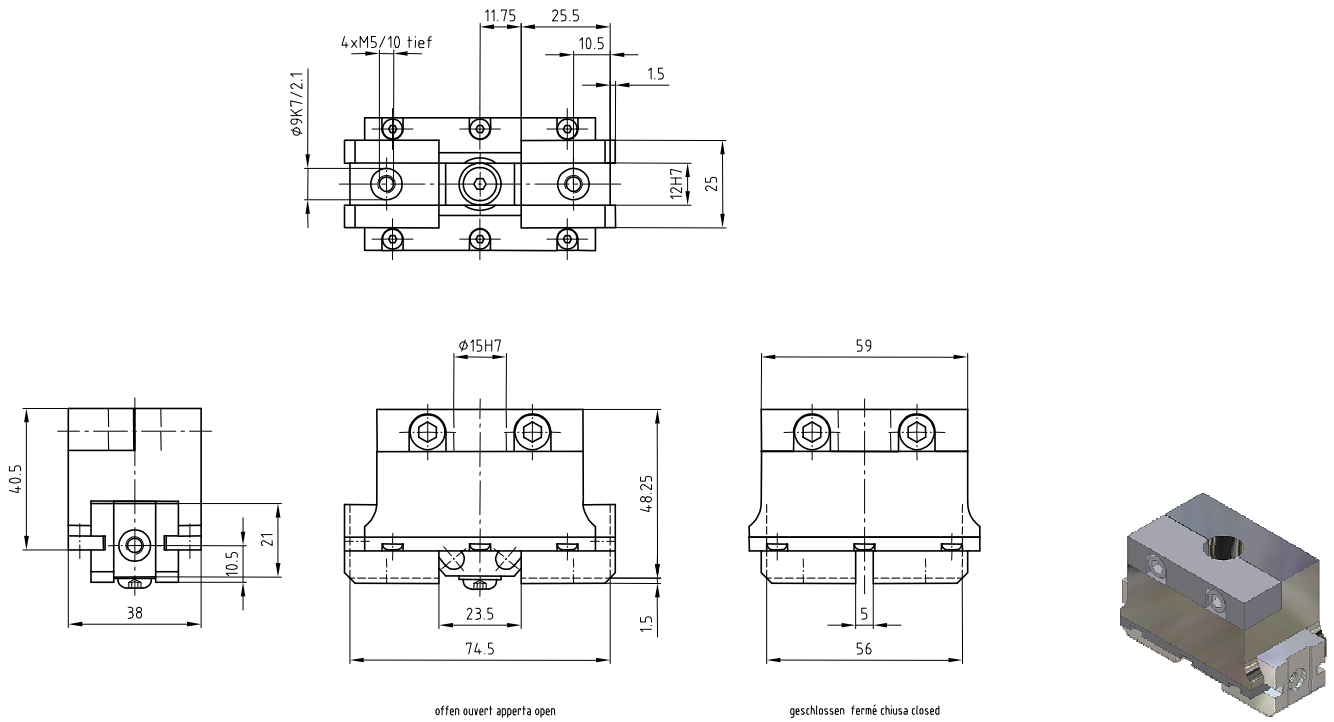
Zangenzylinder	Vérin de pince	Cilindro di serraggio	Gripper cylinder	ZZ 32 K
Artikelnummer	No d'article	Codice No.	Reference No.	3000024
Nennhub H	Course H	Corsa H	Stroke H	24 mm
Gewicht	Poids	Peso	Weight	0.45 kg
Luftanschlüsse (P)	Raccords d'air (P)	Raccordi pneumatici (P)	Air connectors (P)	M5





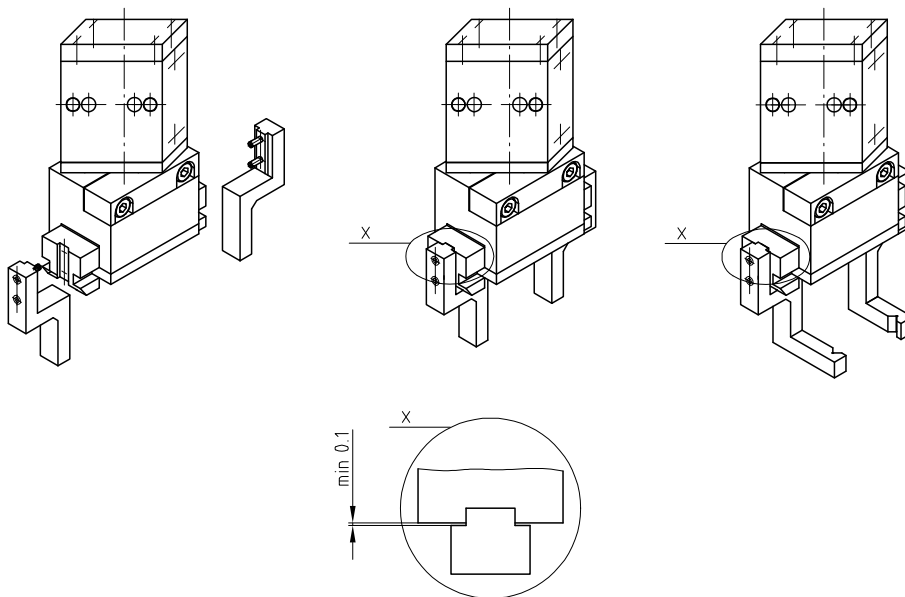
Parallel-Greifzange PGS 32 Pince parallèle PGS 32 Mano di presa parallela PGS 32 Parallel gripper PGS 32

Zangenkörper	Corps de pince	Corpo prensile	Gripper body	PGS 32
Artikelnummer	No d'article	Codice No.	Reference No.	3000019
Öffnungsweg	Course d'ouverture	Corsa di apertura	Opening stroke	18.5 mm
Gewicht	Poids	Peso	Weight	0.50 kg



offen ouvert aperta open

geschlossen fermé chiusa closed

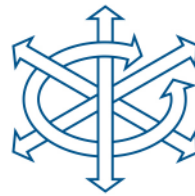


Zubehör finden Sie auf den Seiten 4.86, 6.1

Vous trouvez des accessoires aux pages 4.86, 6.1

Per gli accessori, vedi alle pagine 4.86, 6.1

You will find accessories on pages 4.86, 6.1



Technische Daten

Données techniques

Dati tecnici

Technical data

Typ	Type	Tipo	Type	PGS 32 KA	PGS 32 K
Artikelnummer	No d'article	Codice No.	Reference No.	3000017	3000018
Öffnungsweg	Course d'ouverture	Corsa di apertura	Opening stroke	18.5 mm	18.5 mm
Greifzeit bei max. Hub	Temps de préhension à ouverture max.	Tempo di presa corsa max	Clamping time at max. stroke	0.1s	0.1s
Luftanschlüsse (P)	Raccords d'air (P)	Raccordi pneumatici (P)	Air connectors (P)	M5	M5
Gewicht	Poids	Peso	Weight	1.05 kg	0.95 kg
Betriebsdruck	Pression d'air	Pressione aria	Working pressure	3-8 bar	3-8 bar
Luftverbrauch/Hub	Consommation d'air/course	Consumo aria/corsa	Air consumption/stroke	0.03 NL	0.03 NL
Temperaturbereich	Ecart de températures	Gamma di temperatura	Temperature range	-10% +60°C	-10% +60°C
Greifkraft F	Assurance de la force de préhension F	Forza di presa F	Clamping force F	120 N	120 N
Greifkraftsicherung	Sécurité de force de préhension	Fusibile forza di presa	Clamping power safety device	schliessend chiusura	se fermant closing

Lieferumfang :

2 Positionierringe

Matériel livré :

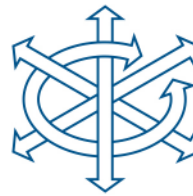
2 Bagues de positionnement

Ambito di fornitura:

2 Anelli di posizionamento

Items supplied:

2 Positioning rings



Greifkraftdiagramm Diagramme de force de préhension Diagramma della forza di presa Clamping force diagram

Zentrische Greifkraft Force de préhension centrée Forza di presa centrica Gripping forces central

F = Greifkraft (N)

F = Force de préhension (N)

F = Forza di presa (N)

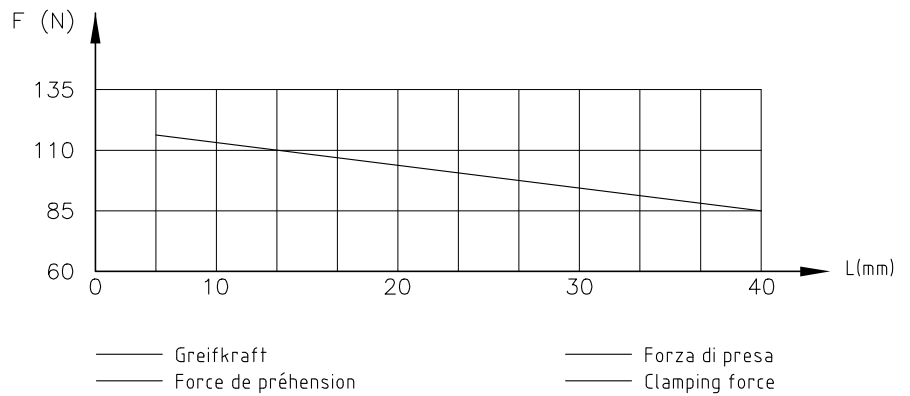
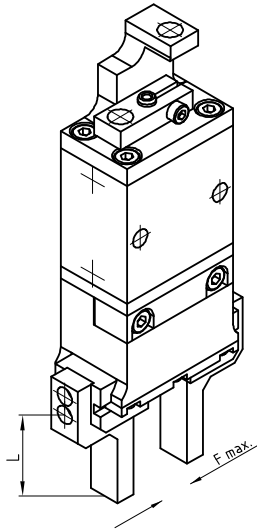
F = Clamping force (N)

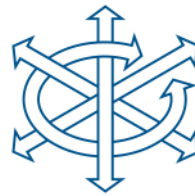
L = Greifabstand (mm)

L = Ecart de préhension (mm)

L = Distanza di presa (mm)

L = Clamping range (mm)





Zubehör PGS 32

Accessoires PGS 32

Accessori PGS 32

Accessory PGS 32

Verbindungsplatte

Plaque de raccordement

Piastra di collegamento

Connecting plate

4000066

Lieferumfang:

2 Positionierringe
2 Schrauben M6x25

Matériel livré:

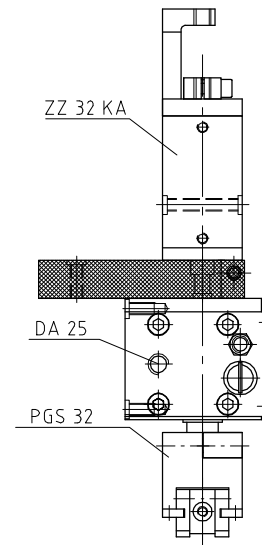
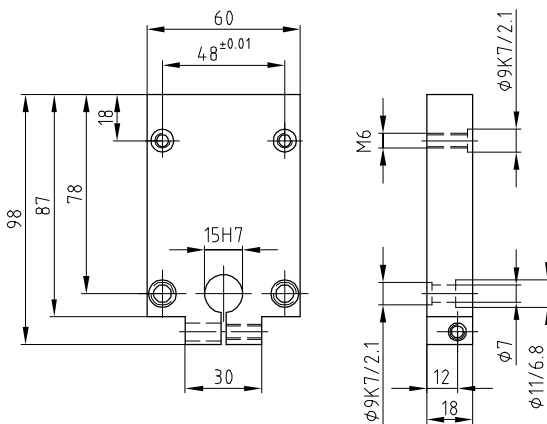
2 Bagues de positionnement
2 Vis M6x25

Ambito di fornitura:

2 Anelli di posizionamento
2 Viti M6x25

Items supplied:

2 Positioning rings
2 Screws M6x25



Klemmplatte

Plaque de serrage

Piastra di fissaggio

Clamping plate

4000067

Lieferumfang:

2 Positionierringe
2 Schrauben M6x25

Matériel livré:

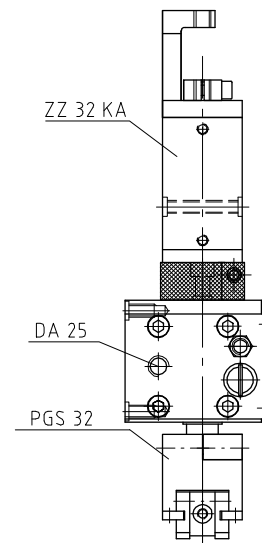
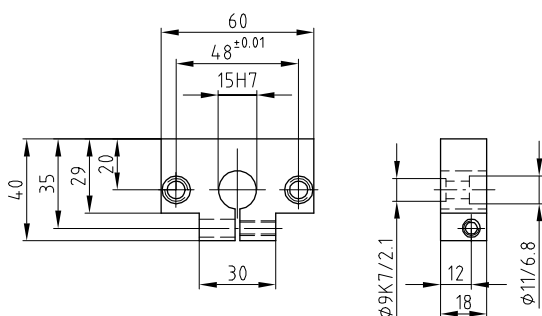
2 Bagues de positionnement
2 Vis M6x25

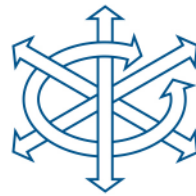
Ambito di fornitura:

2 Anelli di posizionamento
2 Viti M6x25

Items supplied:

2 Positioning rings
2 Screws M6x25





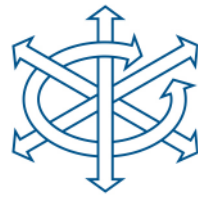
Greif-Drehkombinationen

Combinaison pince-rotatif

Combinazione presa-rotazione

Combination gripper-rotary

	PGS 32 KA	PGS 32 KA	PGS 32 K	PGS 32 K
DA 25	3000169	3000170	3000175	3000176
DA 25 M	3000171	3000172	3000177	3000178
DA 25 2M	3000173	3000174	3000179	3000180



Greif-Drehkombinationen

Combinaison pince-rotatif

Combinazione presa-rotazione

Combination gripper-rotary

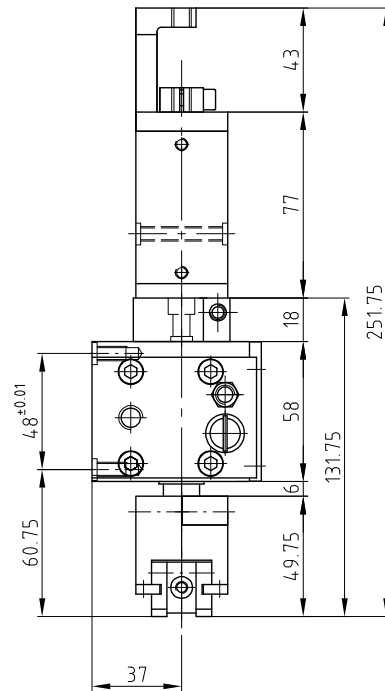
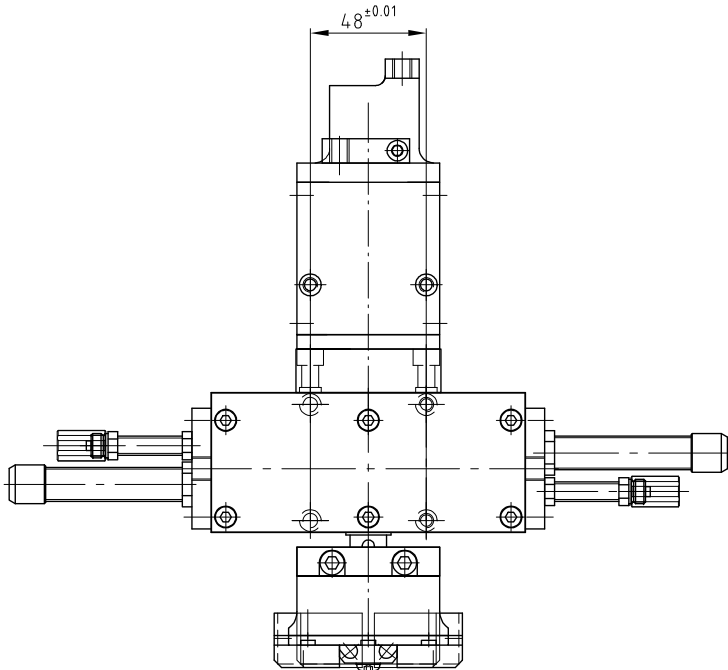
PGS 32 KA-DA 25

PGS 32 KA-DA 25

PGS 32 KA-DA 25

PGS 32 KA-DA 25

3000169



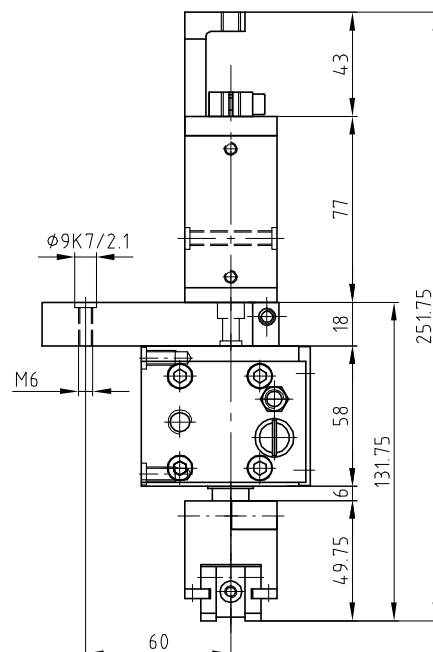
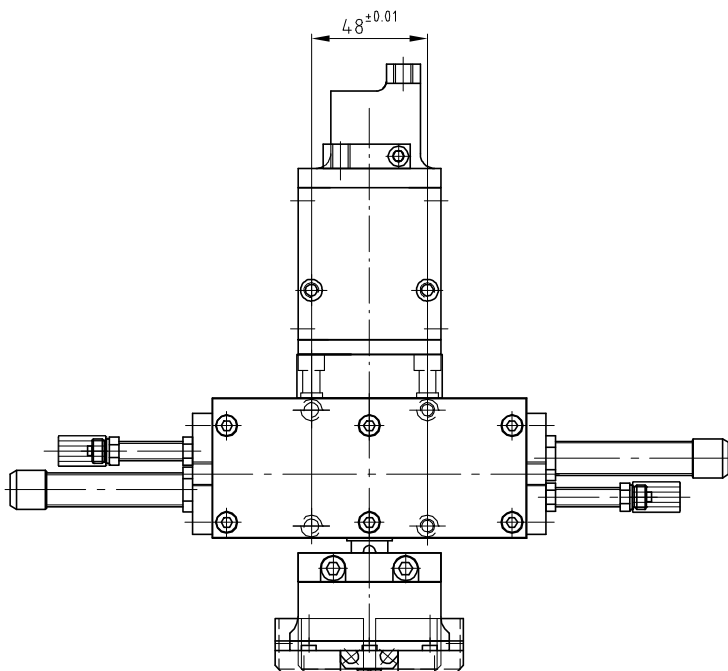
PGS 32 KA-DA 25

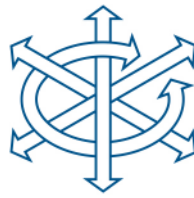
PGS 32 KA-DA 25

PGS 32 KA-DA 25

PGS 32 KA-DA 25

3000170





Greif-Drehkombinationen

Combinaison pince-rotatif

Combinazione presa-rotazione

Combination gripper-rotary

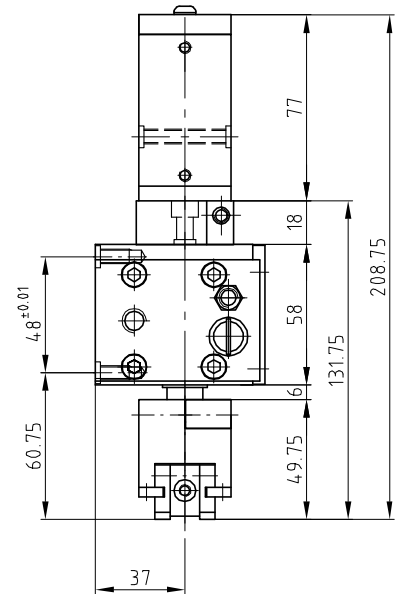
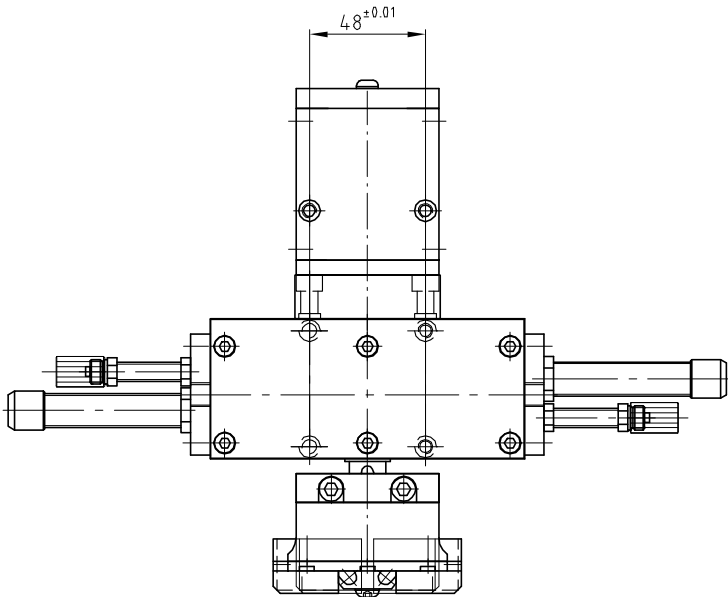
PGS 32 K-DA 25

PGS 32 K-DA 25

PGS 32 K-DA 25

PGS 32 K-DA 25

3000175



PGS 32 K-DA 25

PGS 32 K-DA 25

PGS 32 K-DA 25

PGS 32 K-DA 25

3000176

