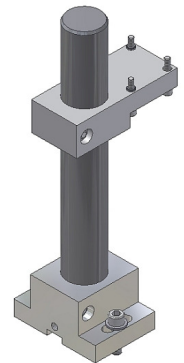
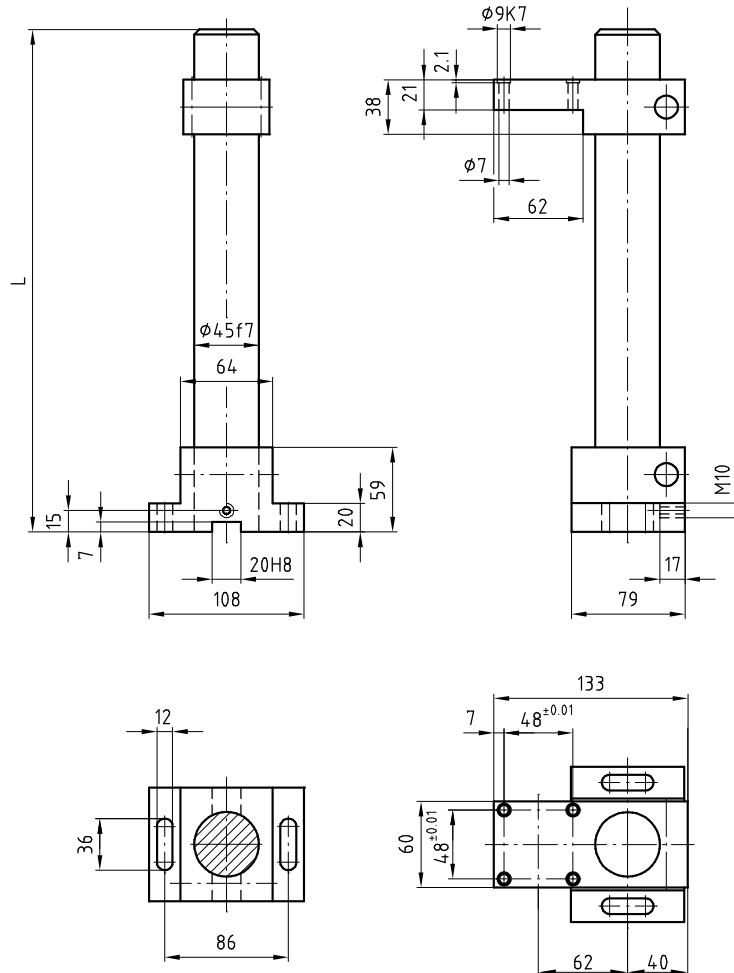


Ständer

Support

Supporto

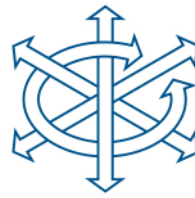
Stand



Ständer komplett	Support complet	Supporto completo	Stand complete		
Säule	Colonne	Colonna	Column	L=350	L=550
Artikelnummer	No d'article	Codice No.	Reference No.	4000068	4000069
Gewicht	Poids	Peso	Weight	5.9 kg	8.4 kg

Ständer komplett	Support complet	Supporto completo	Stand complete		
Hohlsäule	Tube	Tubo	Hollow column	L=350	L=550
Artikelnummer	No d'article	Codice No.	Reference No.	4000070	4000071
Gewicht	Poids	Peso	Weight	3.25 kg	4.25 kg

Lieferumfang:	Matériel livré:	Ambito di fornitura:	Items supplied:
2 Positionerringe	2 Bagues de positionnement	2 Anelli di posizionamento	2 Positioning rings
4 Schrauben M6x35	4 Vis M6x35	4 Viti M6x35	4 Screws M6x35
2 Schrauben M10x35	2 Vis M10x35	2 Viti M10x35	2 Screws M10x35
2 U-Scheiben M10	2 Rondelles M10	2 Rosette M10	2 Plain washers M10
4 U-Scheiben M6	4 Rondelles M6	4 Rosette M6	4 Plain washers M6



Zubehör Ständer

Accessoires support

Accessori supporto

Accessory stand

Verstellplatte

Plaque d'ajustage

Piastra di regolazione

Adjusting plate

4000072

Lieferumfang:

4 Schrauben M8x25

Matériel livré:

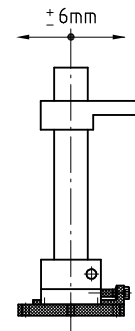
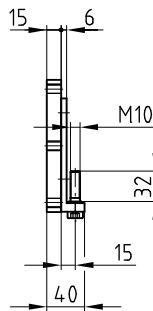
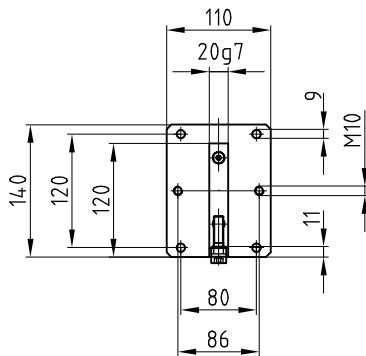
4 Vis M8x25

Ambito di fornitura:

4 Viti M8x25

Items supplied:

4 Screws M8x25



Einfachständer-Fuss

Pied de support simple

Piede supporto singolo

Single support

4000073

Lieferumfang:

2 Schrauben M10x35

Matériel livré:

2 Vis M10x35

Ambito di fornitura:

2 Viti M10x35

Items supplied:

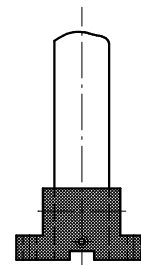
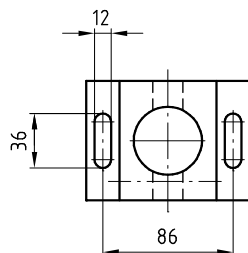
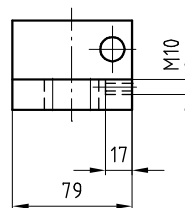
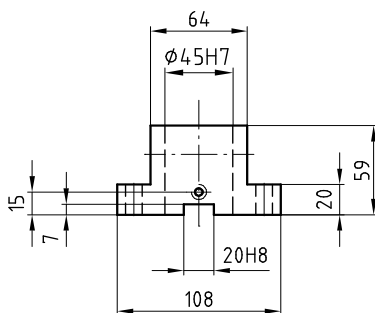
2 Screws M10x35

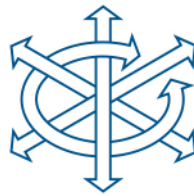
2 U-Scheiben M10

2 Rondelles M10

2 Rosette M10

2 Plain washers M10





Zubehör Ständer

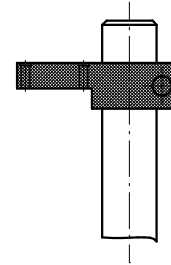
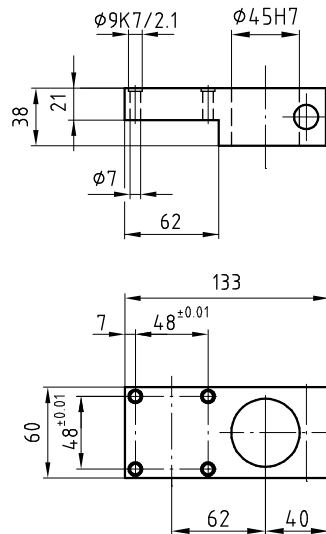
Accessoires support

Accessori supporto

Accessory stand

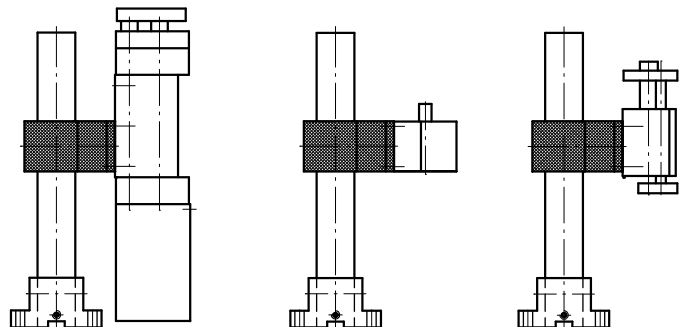
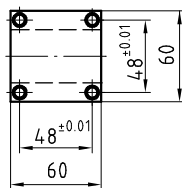
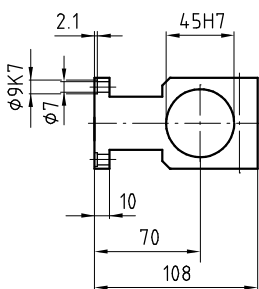
Einfachständer-Platte	Plaque de support simple	Piastra supporto singolo	Single plate	400074
------------------------------	---------------------------------	---------------------------------	---------------------	---------------

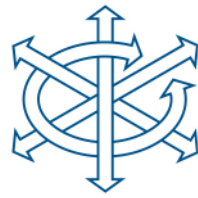
Lieferumfang:	Matériel livré:	Ambito di fornitura:	Items supplied:
2 Positionierringe	2 Bagues de positionnement	2 Anelli di posizionamento	2 Positioning rings
4 Schrauben M6x35	4 Vis M6x35	4 Viti M6x35	4 Screws M6x35
4 U-Scheiben M6	4 Rondelles M6	4 Rosette M6	4 Plain washers M6



Träger	Support	Supporto	Support	400075
---------------	----------------	-----------------	----------------	---------------

Lieferumfang:	Matériel livré:	Ambito di fornitura:	Items supplied:
2 Positionierringe	2 Bagues de positionnement	2 Anelli di posizionamento	2 Positioning rings
4 Schrauben M6x25	4 Vis M6x25	4 Viti M6x25	4 Screws M6x25
4 U-Scheiben M6	4 Rondelles M6	4 Rosette M6	4 Plain washers M6





Zubehör Ständer

Accessoires support

Accessori supporto

Accessory stand

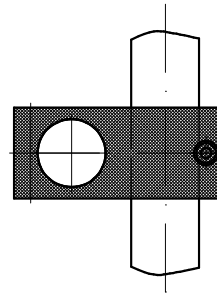
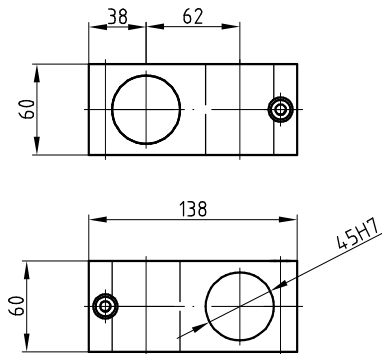
Kreuzklemmhalter

Support à croix

Supporto croce

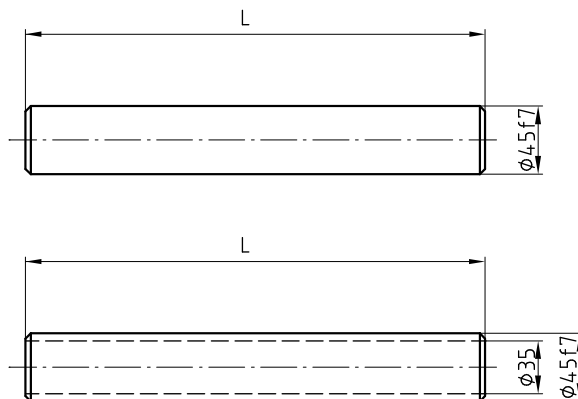
Cross support

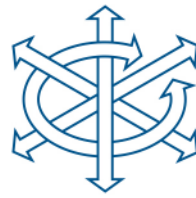
4000076



Säule	Colonne	Colonna	Column	L=350	L=550	L=1000	L=___
Artikelnummer	No d'article	Codice No.	Reference No.	4000077	4000078	4000079	4000125
Gewicht	Poids	Peso	Weight	4.34 kg	6.82 kg	12.4 kg	L • 0.0124kg

Hohlsäule	Tube	Tubo	Hollow column	L=350	L=550	L=1000	L=___
Artikelnummer	No d'article	Codice No.	Reference No.	4000080	4000081	4000082	4000126
Gewicht	Poids	Peso	Weight	1.7 kg	2.67 kg	4.86 kg	L • 0.0486kg





FELD

AUTOMATION

Zubehör Ständer

Accessoires support

Accessori supporto

Accessory stand

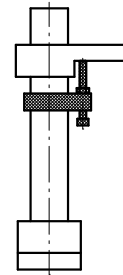
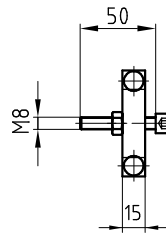
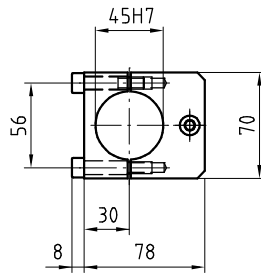
Verstellplatte

Plaque d'ajustage

Piastra di regolazione

Adjusting plate

400083



Montageplatte

Plaque de montage

Piastra di montaggio

Connecting plate 400084

