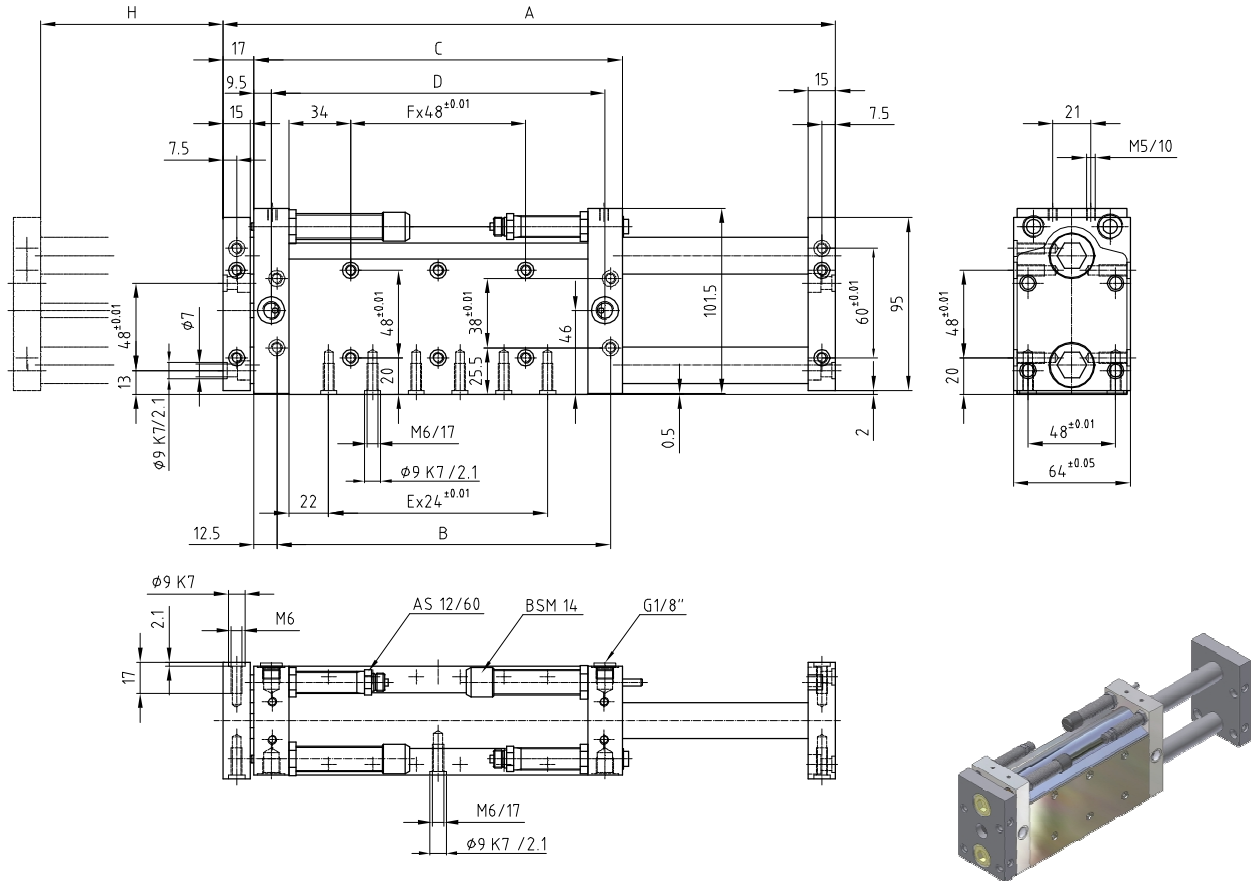


## Linear-Element LEP 25

## Elément linéaire LEP 25

## Unità lineare LEP 25

## Linear element LEP 25



P=Luftanschluss G1/8

P=Raccord d'air G1/8

P=Raccordi pneumatici G1/8

P=Air connections G1/8

Typ Typ	Type Type	LEP 25-100	LEP 25-150	LEP 25-200	LEP 25-250	LEP 25-300	LEP 25-350	LEP 25-400
Artikelnummer	No d'article	1000026	1000027	1000028	1000029	1000030	1000031	1000032
Codice No.	Reference No.							
Nennhub H	Course H	100 mm	150 mm	200 mm	250 mm	300 mm	350 mm	400 mm
Corsa H	Stroke H							
Mass A	Dimension A	336 mm	434 mm	532 mm	630 mm	728 mm	826 mm	924 mm
Dimensione A	Dimension A							
Mass B	Dimension B	183 mm	231 mm	279 mm	327 mm	375 mm	423 mm	471 mm
Dimensione B	Dimension B							
Mass C	Dimension C	202 mm	250 mm	298 mm	346 mm	394 mm	442 mm	490 mm
Dimensione C	Dimension C							
Mass D	Dimension D	183 mm	231 mm	279 mm	327 mm	375 mm	423 mm	471 mm
Dimensione D	Dimension D							
Mass E x24	Dimension E x24	5	7	9	11	13	15	17
Dimensione E x24	Dimension E x24							
Mass F x48	Dimension F x48	2	3	4	5	6	7	8
Dimensione F x48	Dimension F x48							

Sonderausführungen auf Anfrage

Constructions particulières sur demande

Esecuzioni speciali su richiesta

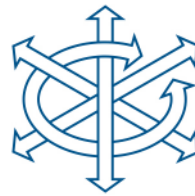
Special types on request

Zubehör finden Sie auf den Seiten 2.43, 6.1

Vous trouvez des accessoires aux pages 2.43, 6.1

Per gli accessori, vedi alle pagine 2.43, 6.1

You will find accessories on pages 2.43, 6.1



### Technische Daten

### Données techniques

### Dati tecnici

### Technical data

Typ Typ	Type Type	LEP 25- 100	LEP 25- 150	LEP 25- 200	LEP 25- 250	LEP 25- 300	LEP 25- 350	LEP 25- 400
Artikelnummer Codice No.	No d'article Reference No.	1000026	1000027	1000028	1000029	1000030	1000031	1000032
Nennhub H Corsa H	Course H Stroke H	100 mm	150 mm	200 mm	250 mm	300 mm	350 mm	400 mm
Max. Nutzgewicht=m Carico utile max. =m	Charge utile max. =m Max. useful load=m	12 kg	11 kg	10 kg	9 kg	8 kg	7 kg	6 kg
Kolbenkraft einfahrend Forza di rientro	Force du piston rentrant Piston force retracted	195 N (5 bar)	195 N (5 bar)	195 N (5 bar)	195 N (5 bar)	195 N (5 bar)	195 N (5 bar)	195 N (5 bar)
Kolbenkraft ausfahrend Forza di uscita	Force du piston sortant Piston force extended	220 N (5 bar)	220 N (5 bar)	220 N (5 bar)	220 N (5 bar)	220 N (5 bar)	220 N (5 bar)	220 N (5 bar)
Betriebsdruck Pressione aria	Pression d'air Working pressure	3 – 8 bar	3 – 8 bar	3 – 8 bar	3 – 8 bar	3 – 8 bar	3 – 8 bar	3 – 8 bar
Luftanschlüsse (P) Raccordi pneumatici (P)	Raccords d'air (P) Air connectors (P)	G 1/8"	G 1/8"	G 1/8"	G 1/8"	G 1/8"	G 1/8"	G 1/8"
Luftverbrauch/H Consumo aria/H	Consommation d'air/H Air consumption/H	0.275 NL	0.413 NL	0.555 NL	0.688 NL	0.825 NL	0.963 NL	1.1 NL
Temperaturbereich Gamma di temperatura	Ecart de température Temperature range	-10% +60 °C	-10% +60 °C	-10% +60 °C	-10% +60 °C	-10% +60 °C	-10% +60 °C	-10% +60 °C
Gewicht Peso	Poids Weight	4.5 kg	5.0 kg	5.8 kg	6.3 kg	7.1 kg	7.6 kg	8.4 kg
Wiederholgenauigkeit Ripetibilità	Reproductibilité Repeating accuracy	±0.01 mm	±0.01 mm	±0.01 mm	±0.01 mm	±0.01 mm	±0.01 mm	±0.01 mm
Einbaulage (beliebig) Posizione di montaggio (a volontà)	Position de montage (à volonté) Any given position (any)							

#### Lieferumfang:

2 Anschlagschr. AS 12/60  
2 Stossdämpfer BSM 14  
2 Positionierringe

#### Matériel livré:

2 Vis d'arrêt AS 12/60  
2 Amortisseurs BSM 14  
2 Bagues de positionnement

#### Ambito di fornitura:

2 Viti d'arresto AS 12/60  
2 Ammortizzatori BSM 14  
2 Anelli di posizionamento

#### Items supplied:

2 Stop screws AS 12/60  
2 Shock absorbers BSM 14  
2 Positioning rings

#### Taktzeit

Messungen bei 5 bar

m=Masse [kg]

t = Hubzeit [s]

#### Temps de cycle

Mesuré à 5 bar

m=Masse [kg]

t = Temps par course [s]

#### Tempo di ciclo

Misurato con 5 bar

m=Massa [kg]

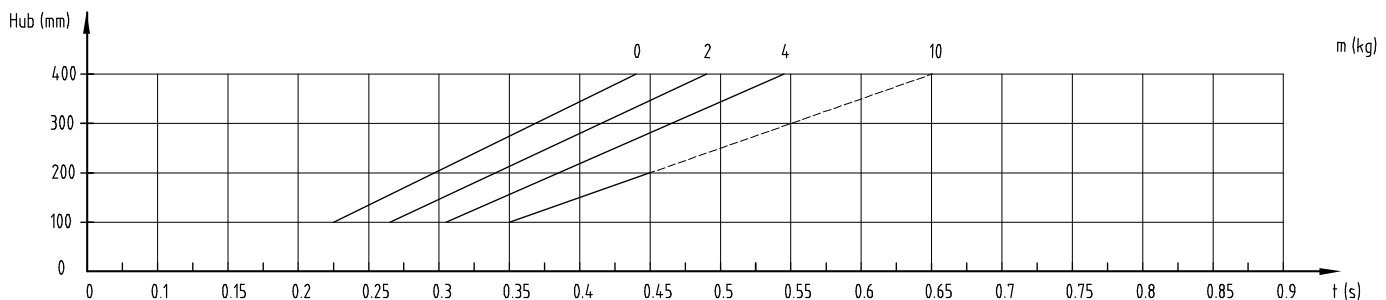
t = Tempo di corsa [s]

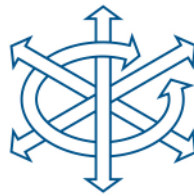
#### Cycle time

Measurements at 5 bar

m=Mass [kg]

t = Stroke time [s]





### Zubehör LEP 25

### Accessoires LEP 25

### Accessori LEP 25

### Accessory LEP 25

#### Zwischenplatte

#### Plaque de raccordement

#### Piastra di interfaccia

#### Connecting plate

4000038

#### Lieferumfang:

2 Positionierringe  
8 Schrauben M6x20

#### Matériel livré:

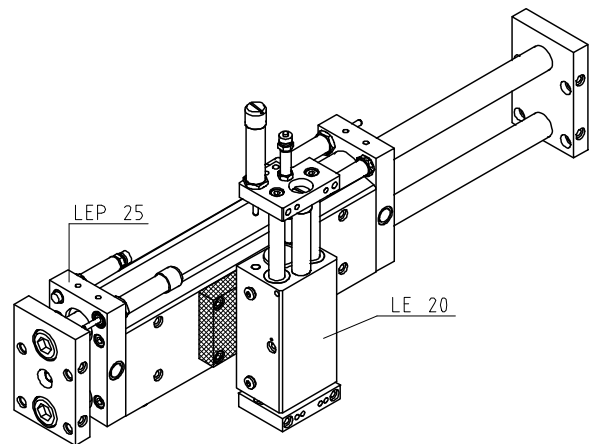
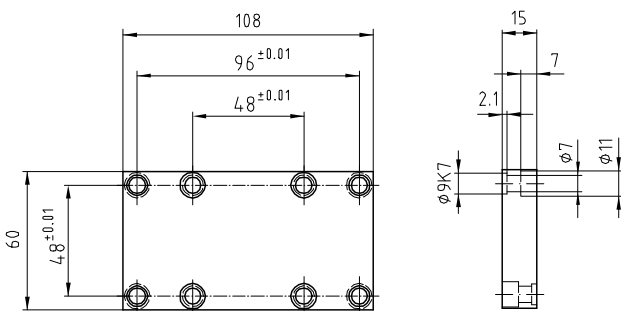
2 Bagues de positionnement  
8 Vis M6x20

#### Ambito di fornitura:

2 Anelli di posizionamento  
8 Viti M6x20

#### Items supplied:

2 Positioning rings  
8 Screws M6x20



#### Verbindungsplatte

#### Plaque de raccordement

#### Piastra di collegamento

#### Connecting plate

4000035

#### Lieferumfang:

2 Positionierringe  
8 Schrauben M6x20

#### Matériel livré:

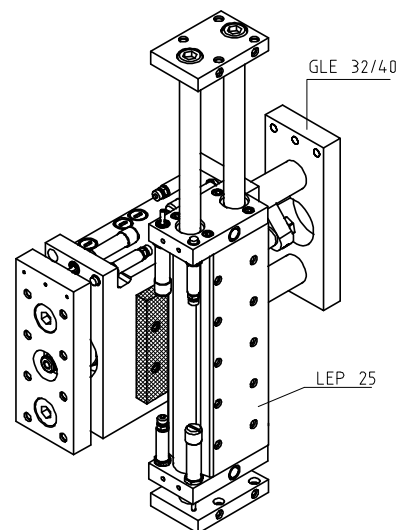
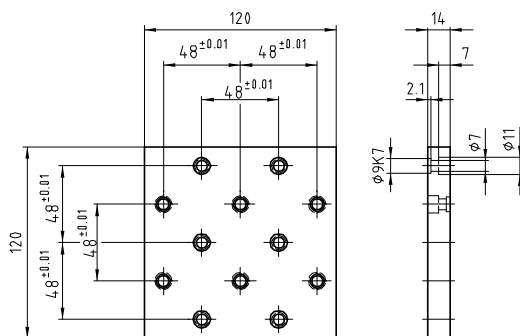
2 Bagues de positionnement  
8 Vis M6x20

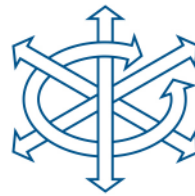
#### Ambito di fornitura:

2 Anelli di posizionamento  
8 Viti M6x20

#### Items supplied:

2 Positioning rings  
8 Screws M6x20





### Zubehör LEP 25

### Accessoires LEP 25

### Accessori LEP 25

### Accessory LEP 25

Montageplatte Piastra di montaggio	Plaque de montage Connecting plate	LEP 25- 100	LEP 25- 150	LEP 25- 200	LEP 25- 250	LEP 25- 300	LEP 25- 350	LEP 25- 400
Artikelnummer Codice No.	No d'article Reference No.	4000024	4000025	4000026	4000027	4000028	4000029	4000030
Mass A Dimensione A	Dimension A Dimension A	336 mm	434 mm	532 mm	630 mm	728 mm	826 mm	924 mm
Mass B Dimensione B	Dimension B Dimension B	321 mm	419 mm	517 mm	615 mm	713 mm	811 mm	909 mm
Gewicht Peso	Poids Weight	1.00 kg	1.30 kg	1.60 kg	1.90 kg	2.20 kg	2.50 kg	2.80 kg

#### Lieferumfang:

2 Positionierringe  
4 Schrauben M6x20

#### Matériel livré:

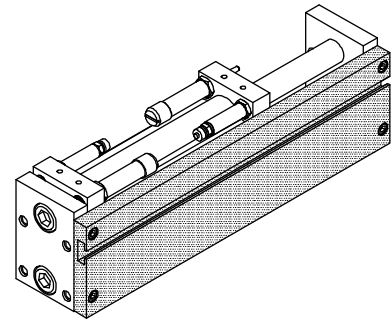
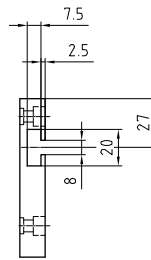
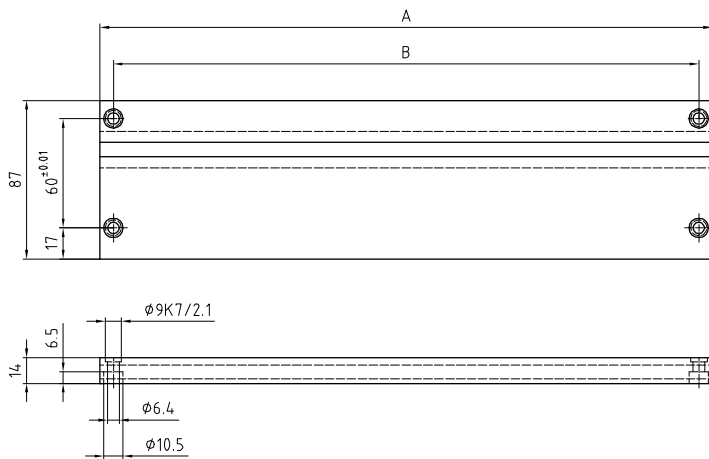
2 Bagues de positionnement  
4 Vis M6x20

#### Ambito di fornitura:

2 Anelli di posizionamento  
4 Viti M6x20

#### Items supplied:

2 Positioning rings  
4 Screws M6x20



### Feineinstellung

### Réglage précis

### Regolarizzazione precisa

### Precise adjustment 4000039

#### Lieferumfang:

1 Schraube M6x20  
1 Nutenstein M6

#### Matériel livré:

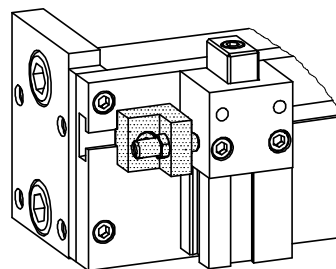
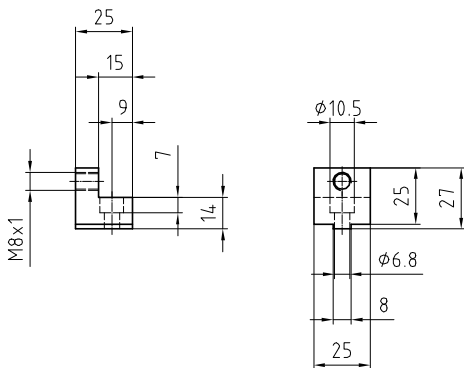
1 Vis M6x20  
1 Ecrou à gorge M6

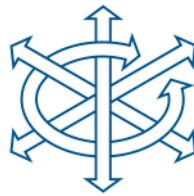
#### Ambito di fornitura:

1 Vite M6x20  
1 Dadi scanalati M6

#### Items supplied:

1 Screw M6x20  
1 Slotted nut M6





### Zubehör LEP 25

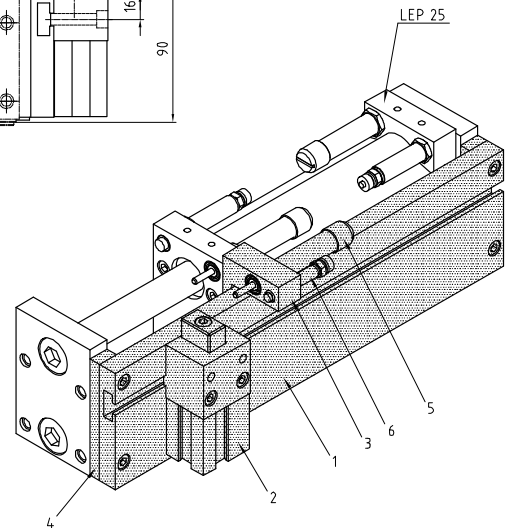
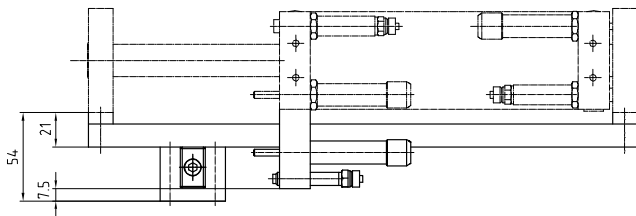
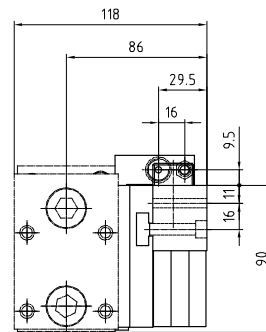
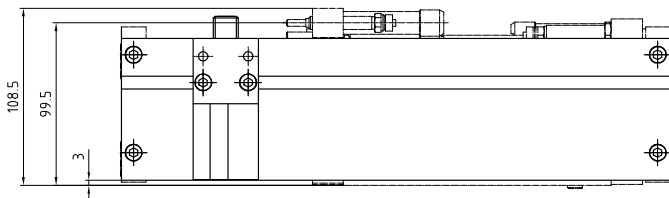
### Accessoires LEP 25

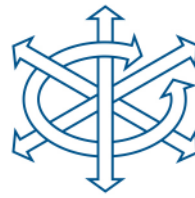
### Accessori LEP 25

### Accessory LEP 25

Zwischenposition Posizione intermedia	Position intermédiaire Intermediate position	LEP 25- 100	LEP 25- 150	LEP 25- 200	LEP 25- 250	LEP 25- 300	LEP 25- 350	LEP 25- 400
Artikelnummer Codice No.	No d'article Reference No.	4000040	4000041	4000042	4000043	4000044	4000045	4000046

Lieferumfang:	Matériel livré:	Ambito di fornitura:	Items supplied:
1 Montageplatte	1 Plaque de montage	1 Piastra di montaggio	1 Connecting plate
1 Zwischenposition	1 Position intermédiaire	1 Posizione intermedia	1 Intermediate position
1 Zwischenanschlag	1 Plaque butée intermédiaire	1 Piastra di arresto intermedia	1 Intermediate stop
2 Abstandsleisten	2 Plaques de distance	2 Piastre di distanza	2 Distance plates
1 Stossdämpfer BSM 14	1 Amortisseur BSM 14	1 Ammortizzatore BSM 14	1 Shock absorber BSM 14
1 Anschlagsschr. AS 08/40	1 Vis d'arrêt AS 08/40	1 Vite d'arresto AS 08/40	1 Stop screws AS 08/40
2 Schrauben M6x12	2 Vis M6x12	2 Viti M6x12	2 Screws M6x12
6 Schrauben M6x30	6 Vis M6x30	6 Viti M6x30	6 Screws M6x30
4 Positionierringe	4 Bagues de positionnement	4 Anelli di posizionamento	4 Positioning rings





### Zubehör LEP 25

### Accessoires LEP 25

### Accessori LEP 25

### Accessory LEP 25

Zusatzposition	Position supplémentaire	Posizione aggiuntiva	Additional position	400047
----------------	-------------------------	----------------------	---------------------	--------

#### Lieferumfang:

2 Schrauben M6x30  
2 Nutensteine M6

#### Matériel livré:

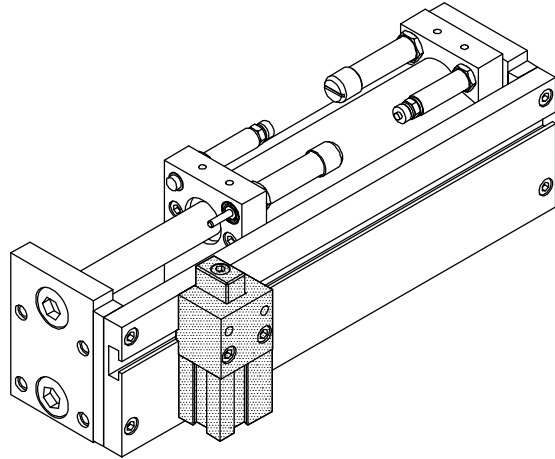
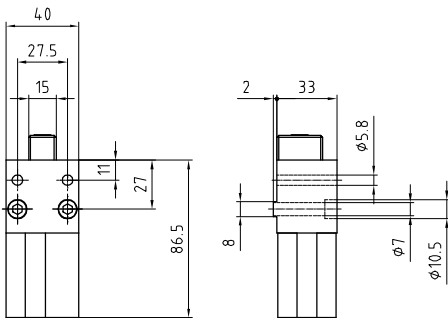
2 Vis M6x30  
2 Ecrus à gorge M6

#### Ambito di fornitura:

2 Viti M6x30  
2 Dadi scanalati M6

#### Items supplied:

2 Screws M6x30  
2 slotted nut M6



### Zwischenanschlag

### Plaque butée intermédiaire

### Piastra di arresto intermedia

### Intermediate Stopp

400048

#### Lieferumfang:

2 Positionierringe  
2 Schrauben M6x20  
1 Anschlagschr. AS 08/40  
1 Stosdämpfer BSM 14

#### Matériel livré:

2 Bagues de positionnement  
2 Vis M6x20  
1 Vis d'arrêt AS 08/40  
1 Amortisseur BSM 14

#### Ambito di fornitura:

2 Anelli di posizionamento  
2 Viti M6x20  
1 Vite d'arresto AS 08/40  
1 Ammortizzatore BSM 14

#### Items supplied:

2 Positioning rings  
2 Screws M6x20  
1 Stop screws AS 08/40  
1 Shock absorber BSM 14

